

SCAG
POWER EQUIPMENT

SSZ
GRASS CATCHERS

GC-SSZ-42
GC-SSZ-48
GC-SSZ-5BS

OPERATOR'S MANUAL

OPERATOR'S MANUAL
TABLE OF CONTENTS

SUBJECT	PAGE
Introduction	1
Safety/Operating Instructions	1
Assembly Instructions	1
Deck Assembly — 42 & 48	2
Chute Assembly/5BS	3
Counter Balance Assembly	3
Frame Assembly/5BS	4
Engine Mounting/5BS	4
Bucket Support Assembly	5
Illustrated Parts Listing	7-15
Hardware Listing	16-19
Warranty	20

INTRODUCTION

This manual has been prepared to provide the information you need to correctly assemble, operate, and maintain this accessory. Read it carefully and keep it for future reference. Should you ever need repair parts or service, contact your Scag authorized parts and service dealer.

To avoid personal injury, it is imperative that all safety instructions be observed.

Any references made in this manual to the RH or LH side are determined with the operator in the normal operating position.

The replacement of any part on this product by other than the manufacturer's authorized replacement part may adversely affect the performance, durability or safety of this product and will void the warranty.

The manufacturer reserves the right to make changes or add improvement to its product at any time without prior notice or obligation. The manufacturer also reserves the right to decide, upon its discretion and at any time, to discontinue a product.

Scag Power Equipment

SAFETY/OPERATING INSTRUCTIONS

- **READ THIS OPERATOR'S MANUAL** and the operator's manual that is supplied with the machine this accessory is used on. A replacement manual is available by contacting your Scag servicing dealer. The cost for a replacement manual is \$2.00.

- When operating the mower without the grass catcher attachment, the discharge chute extension must be installed in the normal, full down position.
- Never operate your mower without the complete grass catcher and all guards and covers installed, or the discharge chute extension properly installed.
- Before removing grass bucket, disengage mower, stop engine on both mower and grass catcher attachment if so equipped and wait for all movement to stop.
- Always turn engine off on both mower and grass catcher if so equipped, remove key and wait for all movement to stop before servicing, adjusting mower deck height, or cleaning the mower.
- Do not modify or alter any component of the grass catcher attachment.
- Do not allow anyone to ride on the grass catcher attachment or on the mower.
- Always turn off the engine on both mower and grass catcher if so equipped, remove the key and wait for all movement to stop before removing any debris from the grass catcher components.

ASSEMBLY INSTRUCTIONS

-Note-

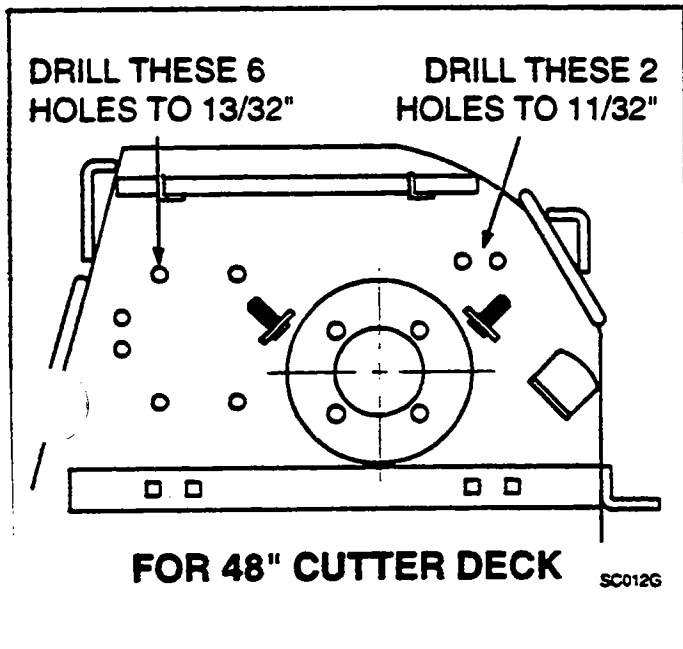
Any instructions concerning item number refer to the illustrated parts breakdown on pages 7 thru 15. Use this illustrated parts list as a reference when following the assembly instructions.

Remove all crating and lay out all hardware. Check the hardware list enclosed to ensure proper assembly.

Read all safety and operating instructions before assembly.

DECK ASSEMBLY — 42 & 48

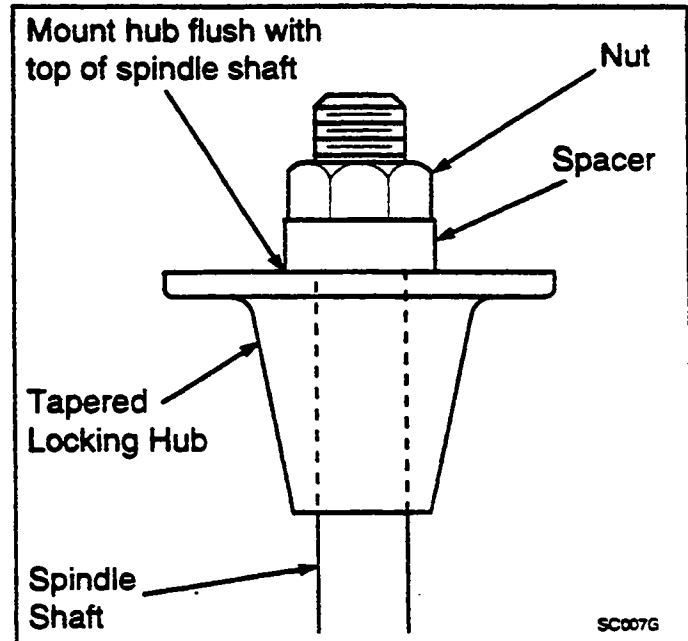
- Remove the right side belt cover.
- SSZ-48



On the SSZ-48 using a 13/32" drill bit, drill the six (6) holes as indicated in the illustration. Using an 11/32" drill bit, drill the remaining two (2) holes.

Loosen the right side spindle belt and remove the spindle pulley (refer to the Operator's Manual included with your machine for instructions).

Mount the double pulley from the grass catcher assembly carton to RH spindle. The pulley should be flush with the top of the spindle assembly. See the illustration. Remount the right spindle belt to the bottom slot in double pulley and tighten belt.



- Mount the reinforcement plate to the underside of the cutter deck using four (4) carriage bolts, 3/8-16 x 1-1/4". Mount the gear box support with the carriage bolts using four (4) 3/8" washers and four (4) 3/8-16" elastic stop nuts. Finger tighten so the box can be adjusted later.
- On the SSZ-48 mount the front tension bracket using two (2) 3/8 x 3/4" serrated flange hex head bolts and two (2) serrated flange nuts and tighten.
- Install the tension carriage bolt 3/8 x 2" and the 3/8" elastic nut. Do not tighten at this time.
- Install the belt (P/N 48913 or P/N 48959) on the top pulley groove of the spindle to the gear box pulley. Tighten the tension bolt to proper belt tension.
- Tighten the four (4) nuts on the gear box mount assembly which you had previously finger tightened.
- Remove the RH anti-scalp wheels, front and rear. Locate and assemble the front and rear receiver brackets and bracket supports. Fasten with five (5) 5/16" serrated flange nuts and 5/16 x 3/4" carriage bolts finger tight.
- Remount the front and rear anti-scalp wheels with the receiver bracket supports between the

- Remount the front and rear anti-scalp wheels with the receiver bracket supports between the anti-scalp wheel and the deck. Mount using 3/8 x 1" serrated flange bolt. Match the five (5) slots in the bracket support with those on the deck mount. Do not fully tighten at this time.
- Mount the latch (P/N 421484) on the rear receiver assembly using the 3/8-16 x 4" hex head bolt and 3/8-16 elastic stop nut.
- Insert the blower mounting bracket (P/N 45583) into the receiver brackets starting with the front receiver. Hold the rear of mounting bracket on a 45 degree angle. Insert the hair pin through the front arm hole of the blower mount bracket. Lower the back end of mounting bracket into the rear receiver bracket making sure that the flat washers are on the outside of the bracket. Lock in place with the ring pin and hair pin.

-Note-

Retaining pin should be inserted from the left side of the bracket.

- Mount blower housing to the mounting bracket using three (3) 3/8" flat washers and elastic stop nuts. Do not tighten all the way because adjustments need to be made.
- Align the blower housing intake with deck discharge opening. Tighten anti-scalp wheel brackets, front and rear. While holding blower housing in place, continue tightening front and rear receiver brackets.
- On the SSZ-42 mount the key in the keyway and slide the pulley (P/N 481012) onto the blower shaft so that the blower pulley will align with the gear box pulley. Tighten in place.
- On the SSZ-48 mount key in keyway and slide the pulley removed from right spindle onto the blower shaft so that the blower pulley will align with the gear box pulley. Tighten in place.

- Install the blower drive belt on the gear box pulley and blower pulley. Push the blower housing back while lifting the rear of the housing upward 1/2" and tighten the nuts on the blower housing. Lower the blower housing bracket into the rear receiver mount. Swing the latch in place and secure with the hair pin.
- Mount weights on chassis as illustrated on page 13. For the model SSZ48 you will have to drill two 13/32" holes in the frame. (Use a weight resting on the frame to mark the hole placement for drilling.)

CHUTE ASSEMBLY / 5BS

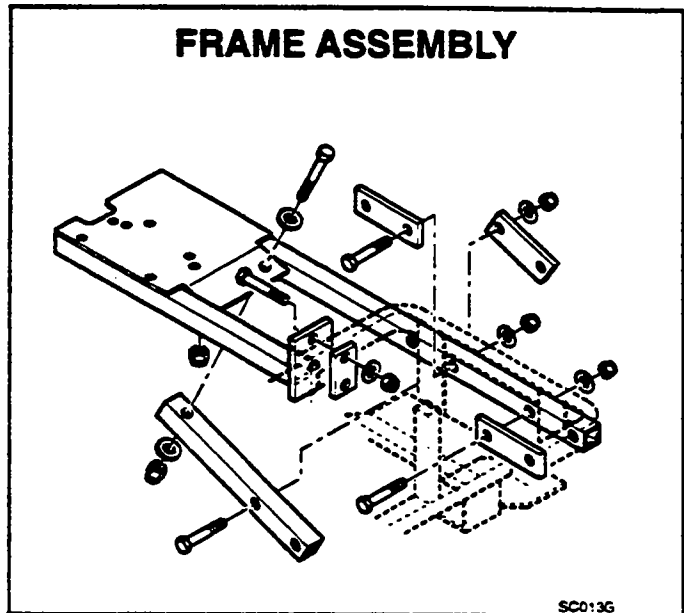
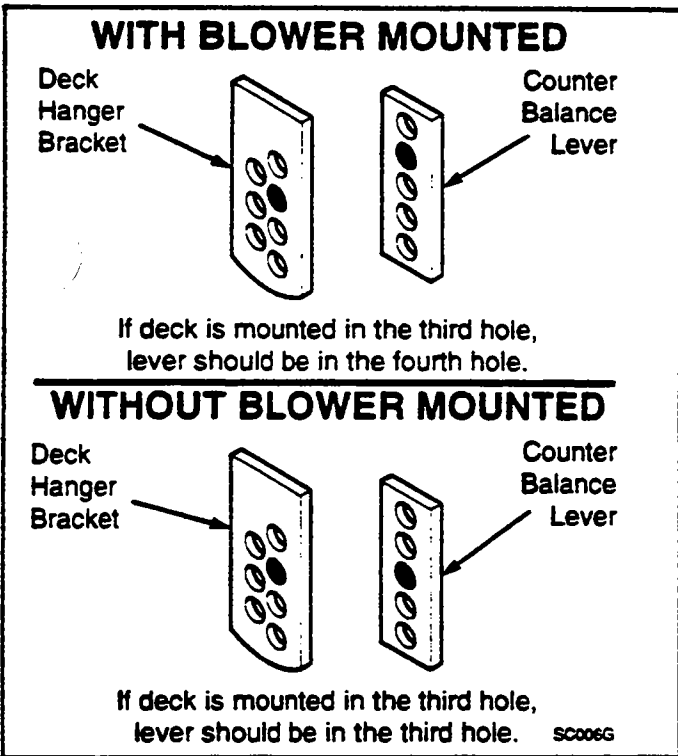
- Place the catcher boot (item 7) on the cutter deck. Firmly tap into place with front of boot snug against cutter deck front. Using the boot as a template, mark the two hole locations on the cutter deck. Drill holes, first using a 1/8" drill bit, then finishing with a 13/32" drill bit.
- Install boot using two (2) 3/8-16 x 1" bolts, two (2) 3/8" flat washers, and two (2) 3/8-16 wing nuts.

COUNTER BALANCE ASSEMBLY

- Mount the counter balance bracket (P/N 421345 or P/N 421490) to the front of the kick plate by removing the two right side dash panel bolts and far right hinge panel carriage bolt. Use two (2) 5/16 x 3/4" serrated flange bolts and one (1) 5/16 x 1" carriage bolt with a 5/16" flange nut. Secure the counter balance bracket to kick plate.
- Install a 3/8 x 3/4" serrated flange bolt in the top tab of bracket and secure with a 3/8" flange nut.
- Install the counter balance lever (P/N 421346) to the bottom tab of bracket using a 3/8 x 2" carriage bolt, compression spring, 3/8" flat washer and 3/8" elastic nut. Tighten so that the nut is flush with the end of the bolt.

Install the spring (P/N 48755) onto the "U" bolt. Install the "U" bolt to the cutter deck so that the 5/16" flange nuts are flush with the "U" bolt ends. Lock the top nuts down against the deck. Tighten the flange nuts under deck 1/4 turn to lock the "U" bolt in place.

- Mount the counter balance rod (P/N 44093) to the spring so that the hook faces the rear of the machine. With the counter balance lever in a horizontal position, slide the rod into the proper hole in the lever. See the following illustration. Pulling up on the lever, hook arm on the bolt in the top tab. The proper hole depends on where the deck height is set.

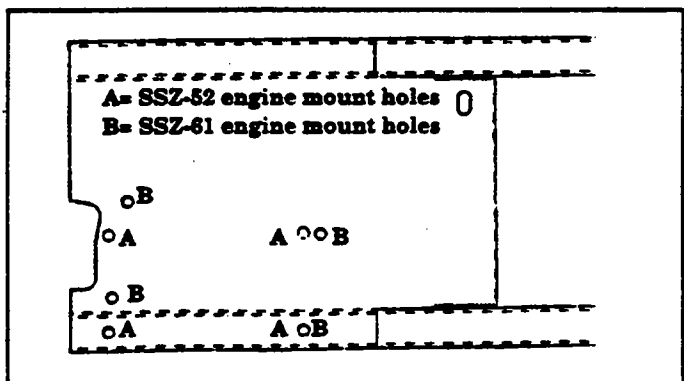


3/8-16 x 2.5" hex head bolts, flat washers and elastic stop nuts, along with two (2) rear tube clamps.

- Mount the lower brace tube using three (3) 3/8-16 x 2.5" hex head bolts, flat washers, and elastic stop nuts.
- While holding the engine mounting frame in place, tighten all the previously mounted hardware.

ENGINE MOUNTING / 5BS

- Mount the engine and the engine guard weldment to the engine mounting frame using three (3) 5/16-18 x 1-3/4" hex head bolts, flat washers, and elastic stop nuts and one (1) 5/16-18 x 3.25 for model SSZ61. On the SSZ52 use two (2) 5/16-18 x 1-3/4" hex head bolts and two (2) 5/16-18 x 3.25" hex head bolts.



FRAME ASSEMBLY / 5BS

- Install the engine mounting frame (P/N 45561) to the tractor as illustrated.
- With the frame in place, mount the front tube of the frame using two (2) 3/8-16 x 2.5" hex head bolts, flat washers, elastic stop nuts, and front tube clamp. Do not tighten fully until the remainder of the mounting hardware is in place.
- Mount the rear tube of the frame using four (4)

- Mount the rear blower housing assembly using four (4) 5/16-24 x 1" fine thread bolts and four (4) 5/16" lockwashers. Install into tapped engine holes.
- Install the fan assembly with key and secure onto the crankshaft with a 3/8-24 x 2" fine thread bolt and 3/8" lockwasher.
- Using a rubber mallet, tap, then tighten the blower fan hub onto the crankshaft. Rotate the fan to be sure the fan does not hit the housing.
- Install the 8" inlet hose onto the boot and inlet adapter using two hose clamps.
- Mount the blower inlet adapter to the blower housing using six (6) 5/16-18 serrated flange nuts.
- Install the exhaust tube (P/N 481002) to the machine's muffler to adequately direct exhaust gasses away from the grass catcher engine mounting frame.
- Fill the 5HP engine with approximately 1/2 quart of oil. Fill fuel tank with fresh gasoline. Be safe when adding fuel. Add fuel in a well ventilated area. Wipe any spills before attempting to start the engine. Connect all tubes before starting the engine.
- Remove the four fender mount bolts (two each side) and replace with the 5/16 x 1" carriage bolts and flange nuts. Mount all four bolts, then tighten.
- Mount the side support braces using four (4) 5/16 x 3/4" carriage bolts and flange nuts. Use the second hole from the top on the support frame to mount the slotted hole in support brace.
- Install left and right brace hinge plates to the hinge cover using four (4) 3/8-16 x .75" serrated flange capscrews, flat washers, and elastic stop nuts. Tighten within 1/2 turn of being tight.
- Mount the hopper onto the tray bracket so it rests against the support frame. Put the lid on top of the hopper and center from side to side. Locate the two (2) hex head hinge bolts (3/8 x 1-1/2"), twelve (12) spacer washers and two (2) elastic stop nuts.
- Insert as many spacer washers as needed to take up the space between the hinge plate and support frame tubes so that lid remains centered. Tighten the elastic stop nuts until snug, then back off 1/8 of a turn so that lid can pivot easily.
- Tighten four (4) hinge plate bolts on the lid, starting on right side.

-Note-

*Properly service engine with oil and fuel.
Note that this is a fixed throttle engine.*

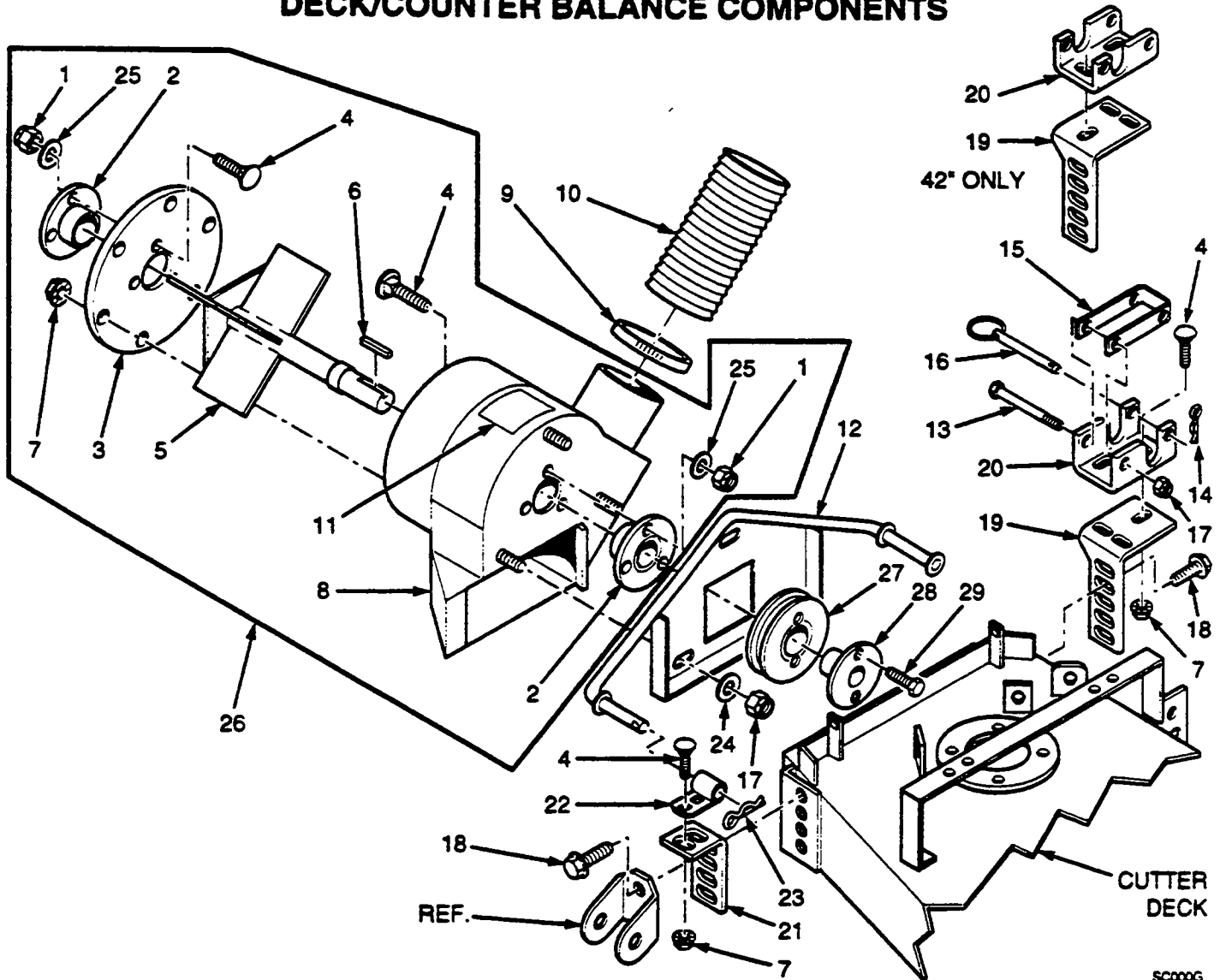
Never run mower blades with blower engine shut off. Boot will plug severely.

When cleaning out boot, always disengage cutter drive belt and shut off mower and grass catcher engines.

BUCKET SUPPORT ASSEMBLY

- Using the four "J" hooks, 5/16 x 3/4" carriage bolts, and 5/16" serrated flange nuts, fasten the bottom tray to rear frame.
- Mount the support frame tube to the rear fenders utilizing the existing fender mount holes.
- Install cover support rod by mounting the two hair pins to inside holes in rod. Slide the 2" flat washer onto bottom of the rod. Insert the support rod into the hole on the right hinge plate and into the lower hole on the arm of the support bracket. Slide a 3/8" flat washer into the lower hole and insert a hair pin. Holding the support rod in place, raise the lid and lock it open. Insert a hair pin in the lid bracket.
- Insert the elbow in the lid and lock in place. Mount the hose and hose clamp.
- Recheck all hardware and fittings for proper tightness. Test run to verify that the grass catcher operates properly.

DECK/COUNTER BALANCE COMPONENTS

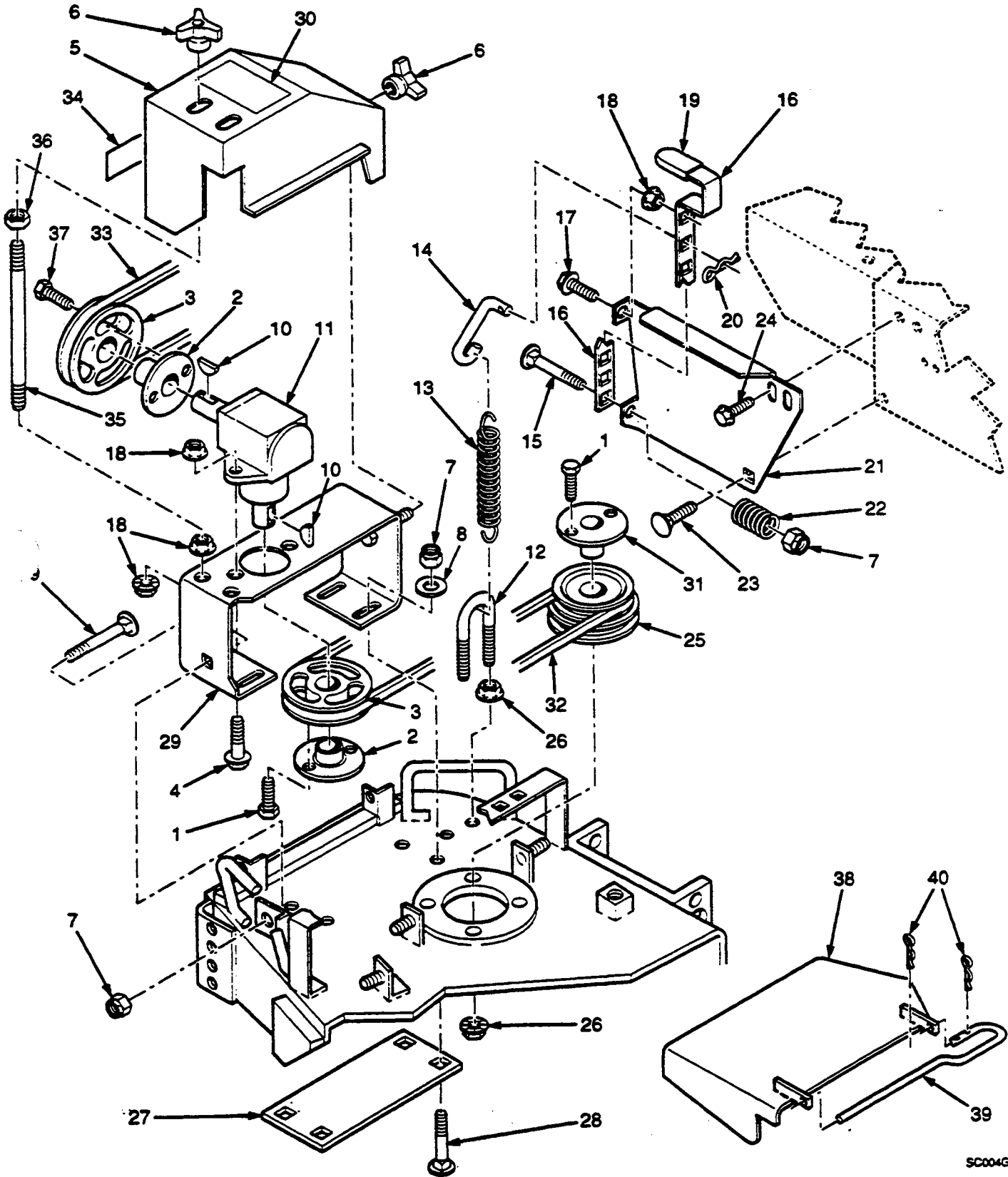


SC000G

Ref. Part No.	Number	Description	42	48	Ref. Part No.	Number	Description	42	48
1	04021-10	Nut, Elastic Stop 5/16-18	X	X	17	04021-09	Nut, Elastic Stop 3/8-16	X	X
2	48915	Bearing Assembly	X	X	18	04017-27	Capscrew, Serr. Flange 3/8-16 x 1	X	X
3	421319	Cover, Blower Housing	X	X	19	421491	Mounting Bracket, Rear	X	
4	04003-12	Carriage Bolt, 5/16-18 x .75	X	X	19	421312	Mounting Bracket, Rear		X
5	45565	Fan Weldment	X	X	20	421483	Latch Plate	X	X
6	04063-06	Key, .25 x .25 x 1.50	X	X	21	421495	Mounting Bracket, Front	X	X
7	04019-03	Nut, Serr. Flange 5/16-18	X	X	22	45582	Mounting Weldment, Front	X	X
8	46627	Blower Housing Weldment w/Decals	X	X	23	04062-03	Hair Pin, .148 dia. x 2.75	X	X
9	48136-01	Clamp, Hose	X	X	24	04041-07	Flat Washer, 3/8 (.391 x .938 x .105)	X	X
10	48135-07	Hose, 6" x 48"	X	X	25	04040-04	Flat Washer, 5/16 (.344 x .688 x .065)	X	X
11	48236	Decal, Danger	X	X	26	46625	Blower Housing Assembly	X	X
12	45583	Blower Mounting Weldment	X	X	27	481012	Pulley, Tapered Bore 5.15 O.D.	X	
13	04001-30	Bolt, Hex Head 3/8-16 x 4"	X	X	27	48924	Pulley, 5.80 O.D.		X
14	04062-01	Hair Pin, .094 dia. x 1.62	X	X	28	48141	Tapered Hub, 1.00 Bore	X	X
15	421484	Latch	X	X	29	04001-01	Bolt, Hex Head .25-20 x .75	X	X
16	04067-04	Ring Pin	X	X					

* Common hardware which should be purchased locally. All bolts grade 5 plated, all other fasteners zinc plated.

DECK/COUNTER BALANCE COMPONENTS (42)



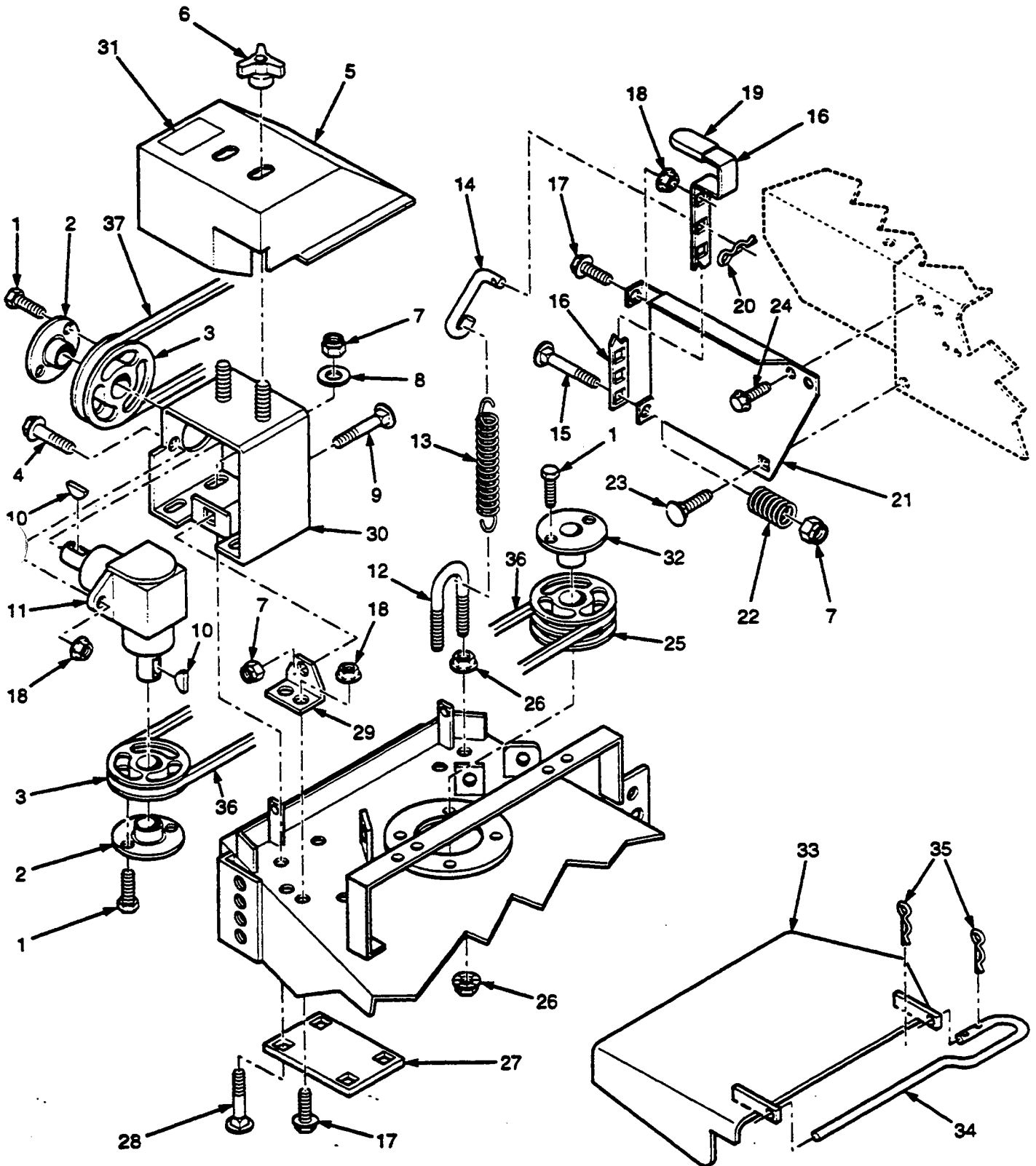
SC004G

DECK/COUNTER BALANCE COMPONENTS (42)

Ref. No.	Part Number	Description
1	04001-01	Bolt, Hex Head 1/4-20 x .75
2	48248	Tapered Hub, .875 Bore
3	48924	Pulley, Tapered Bore 5.80 O.D.
4	04017-28	Capscrew, Serr. Flange 3/8-16 x 1.25
5	46635	Belt Cover, w/Decals
6	04029-03	Wingnut, Plastic 3/8-16 x .875
7	04021-09	Nut, Elastic Stop 3/8-16
8	04041-07	Flat Washer, 3/8 (.375 x 2.00 x .060)
9	04003-03	Carriage Bolt, 3/8-16 x 2.00
10	04063-07	Key, Woodruff #9 3/16 x .75
11	48919	Gear Box, 90 Degree Drive
12	04100-01	U-Bolt, 5/16-18 x 2.19
13	48755	Spring, Clutch
14	44093	Rod, Counter Balance
15	04003-03	Carriage Bolt, 3/8-16 x 2.00
16	421346	Lever, Counter Balance
17	04017-26	Capscrew, Serr. Flange 3/8-16 x .75
18	04019-04	Nut, Serr. Flange 3/8-16
19	48215	Grip, Shift Lever
20	04062-01	Hair Pin, .094 x 1.62
21	421490	Mounting Bracket, Counter Balance
22	48050	Spring, Compression
23	04003-04	Carriage Bolt, 5/16-18 x 1.00
24	04017-16	Capscrew, 5/16-18 x .75
25	481012	Pulley, Tapered Bore 5.15 O.D.
26	04019-03	Nut, Serr. Flange 5/16-18
27	421492	Reinforcement Plate, Gear Box
28	04003-11	Carriage Bolt, 3/8-16 x 1.25
29	45580	Support Weldment, Gear Box
30	48073	Decal, Warning
31	48141	Tapered Hub, 1.00 Bore
32	48959	Belt, Gear Box Drive
33	48960	Belt, Blower Drive
34	48715	Decal, Warning
35	04004-14	Stud, 3/8-16 x 6.75
36	04021-05	Nut, Center Lock 3/8-16
37	04001-59	Bolt, Hex Head 1/4-20 x 1.25
38	45331	Discharge Chute
39	44091	Rod, Discharge Chute
40	04062-02	Hair Pin, .080 x 1.19

* Common hardware which should be purchased locally. All bolts grade 5 plated, all other fasteners zinc plated.

DECK/COUNTER BALANCE COMPONENTS (48)



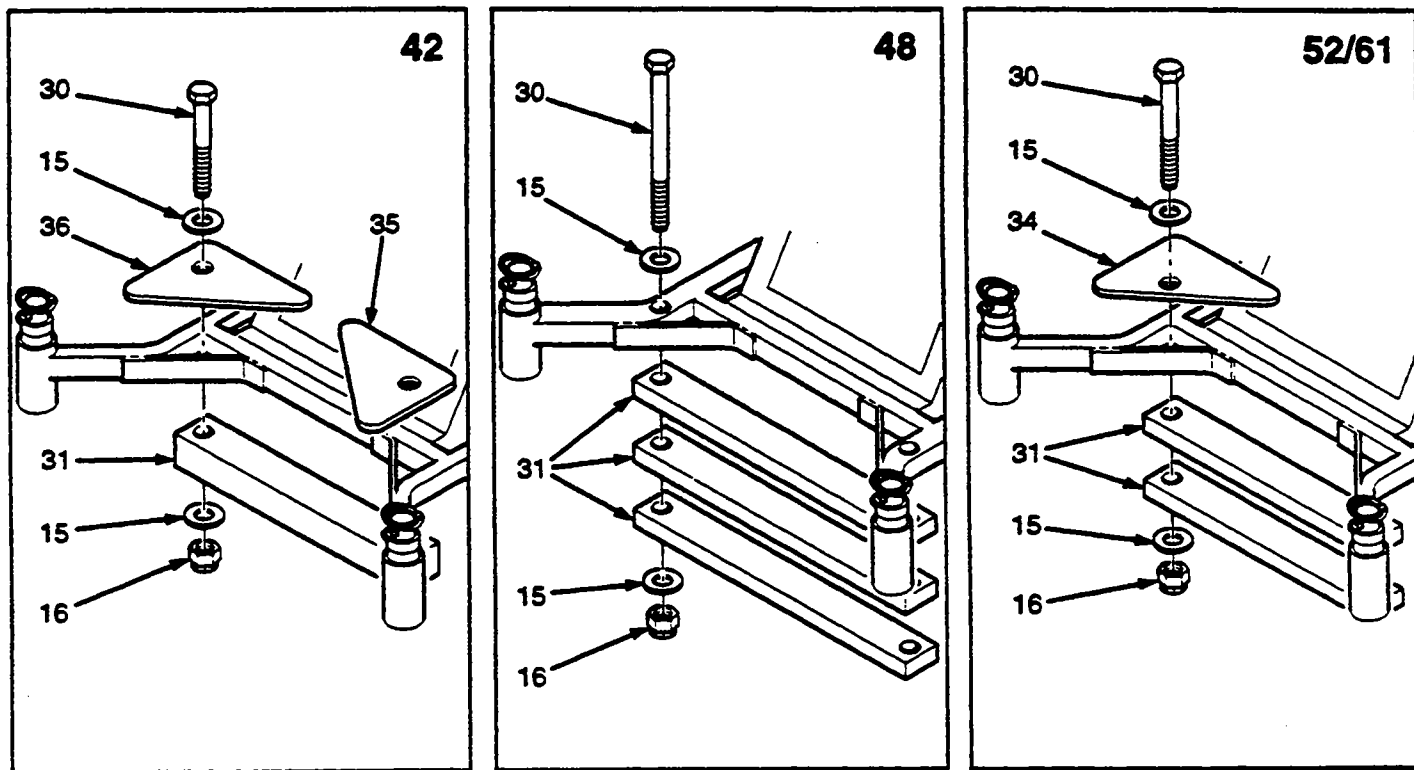
SC001G

DECK/COUNTER BALANCE COMPONENTS (48)

Ref. No.	Part Number	Description
1	04001-01	Bolt, Hex Head 1/4-20 x .75
2	48248	Tapered Hub, .875 Bore
3	48924	Pulley, Tapered Bore 5.80 O. D.
4	04017-28	Capscrew, Serr. Flange 3/8-16 x 1.25
5	46559	Belt Cover, w/Decal
6	04029-03	Wingnut, Plastic 3/8-16 x .875
7	04021-09	Nut, Elastic Stop 3/8-16
8	04041-07	Flat Washer, 3/8 (.375 x 2.00 x .060)
9	04003-03	Carriage Bolt, 3/8-16 x 2.00
10	04063-07	Key, Woodruff #9 3/16 x .75
11	48919	Gear Box, 90 Degree Drive
12	04100-01	U-Bolt, 5/16-18 x 2.19
13	48755	Spring, Clutch
14	44093	Rod, Counter Balance
15	04003-03	Carriage Bolt
16	421346	Lever, Counter Balance
17	04017-26	Capscrew, Serr. Flange 3/8-16 x .75
18	04019-04	Nut, Serr. Flange 3/8-16
19	48215	Grip, Shift Lever
20	04062-01	Hair Pin, .094 x 1.62
21	421345	Mounting Bracket, Counter Balance
22	48050	Spring, Compression
23	04003-04	Carriage Bolt, 5/16-18 x 1.00
24	04017-16	Capscrew, 5/16-18 x .75
25	48923	Pulley, Double Groove 5.80 O. D.
26	04019-03	Nut, Serr. Flange 5/16-18
27	421325	Reinforcement Plate, Gear Box
28	04003-11	Carriage Bolt, 3/8-16 x 1.25
29	421324	Anchor Bracket, Tension Bolt
30	45495	Support Weldment, Gear Box
31	48073	Decal, Warning
32	48141	Tapered Hub, 1.00 Bore
33	45331	Discharge Chute
34	44091	Rod, Discharge Chute
35	04062-02	Hair Pin, .080 x 1.19
36	48913	Belt, Gear Box Drive
37	48914	Belt, Blower Drive

* Common hardware which should be purchased locally. All bolts grade 5 plated, all other fasteners zinc plated.

WEIGHT KITS 42, 48, 52/61



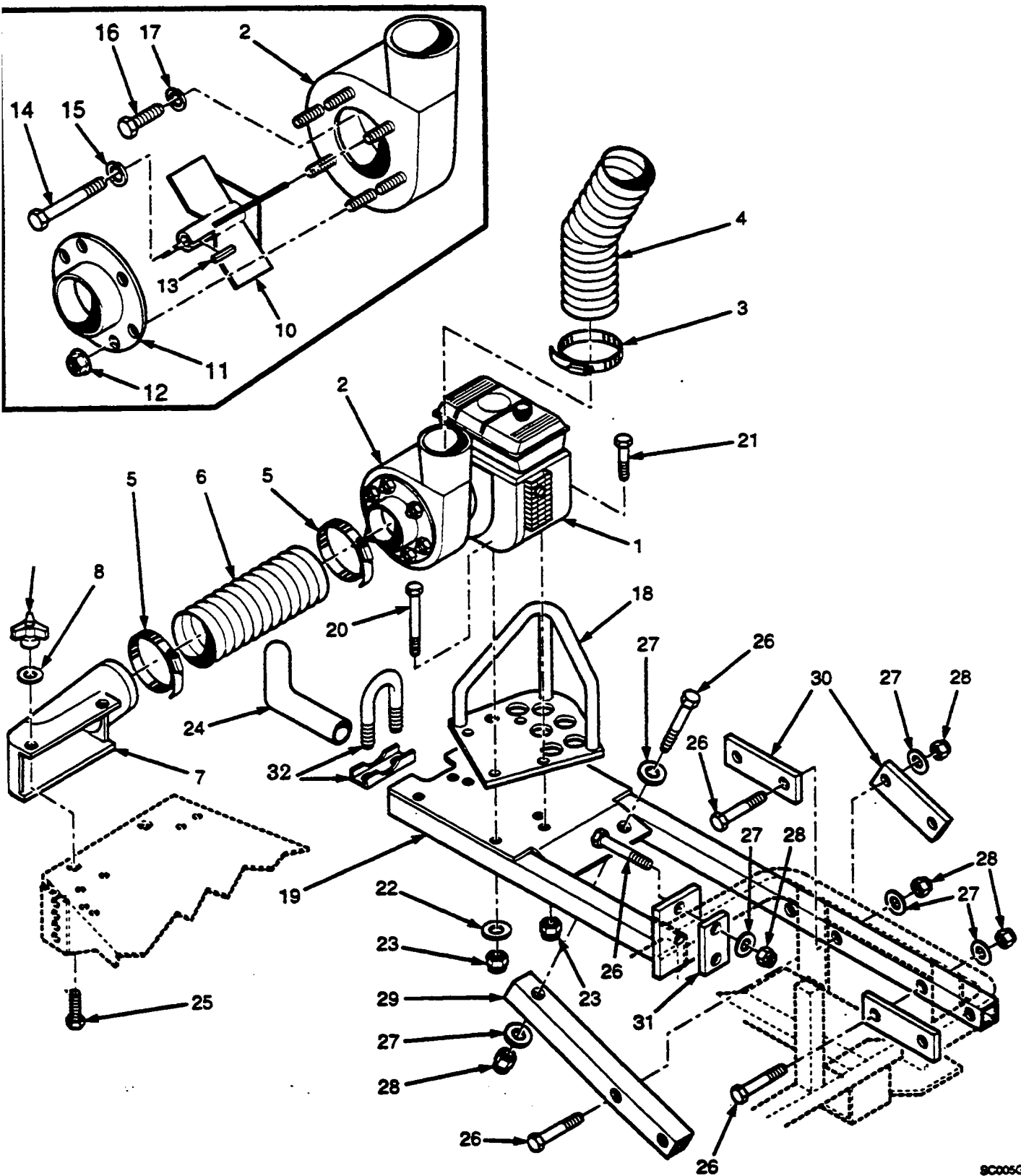
SC003G

BUCKET SUPPORT COMPONENTS/WEIGHT KITS 42, 48, 52/61

Ref. Part No. Number	Description	42	48	52	61	Ref. No. Number	Part Description	42	48	52	61
1	48135-07 Hose, 6" x 48"	X	X			20	421309 Brace	X	X	X	X
	48135-08 Hose, 6" x 24"			X	X	21	04003-04 Carriage Bolt, 5/16-18 x 1.00	X	X	X	X
2	48136-01 Clamp, Hose	X	X	X	X	22	421422 Hinge, RH	X	X	X	X
3	48909 Elbow, Grass Catcher (includes Items 6, 7, 11 & 14)	X	X	X	X	23	421308 Clamp, Tray	X	X	X	X
4	46512 Cover Assembly, Grass Catcher	X	X	X	X	24	04003-12 Carriage Bolt, 5/16-18 x .75	X	X	X	X
5	04021-10 Nut, Elastic Stop 5/16-18	X	X	X	X	25	421432 Tray	X	X	X	X
6	48928 Deflector, Grass Catcher	X	X	X	X	26	04062-02 Hair Pin, .080 dia x 1.19	X	X	X	X
7	421348 Backing Plate, Deflector	X	X	X	X	27	04001-20 Bolt, Hex Head 3/8-16 x 1.50	X	X	X	X
8	421300 Handle	X	X	X	X	28	04041-10 Flat Washer, 3/8 (.375 x 2.00 x .60)	X	X	X	X
9	44089 Rod, Cover Support	X	X	X	X	29	45552 Support Frame Weldment	X	X	X	X
10	48137-03 Strap, Rubber	X	X	X	X	30	04001-47 Bolt, Hex Head 3/8-16 x 5.00	X			
11	Rivet, Pop 3/16"	X	X	X	X		04001-100 Bolt, Hex Head 3/8-16 x 6.00		X		
12	421421 Hinge, LH	X	X	X	X		04001-105 Bolt, Hex Head 3/8-16 x 5.25			X	X
13	04017-26 Capscrew, Serr. Flange 5/16-18 x .75	X	X	X	X	31	421487 Weight Bar	X			
14	Washer, Pop Rivet	X	X	X	X		42956 Weight Bar		X	X	X
15	04041-07 Flat Washer, 3/8 (.391 x .938 x .105)	X	X	X	X	32	421329 Screen	X	X	X	X
16	04021-09 Nut, Elastic Stop 3/8-16	X	X	X	X	33	421418 Plate, Hinge Backing	X	X	X	X
17	48907 Hopper, Grass Catcher w/Decal	X	X	X	X	34	421444 Mounting Bracket, Weight Bar				X
18	48922 Decal, Hopper	X	X	X	X	35	421488 Plate, Clamping Weight Bar LH	X			
19	04019-04 Nut, Serr. Flange 5/16-18	X	X	X	X	36	421489 Plate, Clamping Weight Bar RH	X			
						37	481017-01 Seal, Rubber	X	X	X	

* Common hardware which should be purchased locally. All bolts grade 5 plated, all other fasteners zinc plated.

ENGINE SUPPORT COMPONENTS








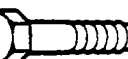
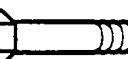

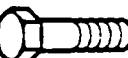
8C005G

ENGINE SUPPORT COMPONENTS





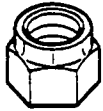




Ref. No.	Part Number	Description
1	48173 -	Engine, Briggs & Stratton 5 hp
2	45080	Blower Housing Weldment
3	48136-01	Clamp, Hose 6"
4	48135-08	Hose, 6" x 24"
5	48136-02	Clamp, Hose 8"
6	48135-02	Hose, 8" x 29"
7	48132	Boot
8	.	Flat Washer 3/8"
9	04022-04	Elastic Wing Nut 3/8-16
10	45077	Fan Weldment
11	45081	Blower Inlet Adapter
12	04019-03	Nut, Serr. Flange 5/16-18
13	04063-06	Key, .25 x .25 x 1.50
14	04001-65	Bolt, Hex Head 3/8-24 x 2.00
15	04030-04	Lockwasher, 3/8
16	04001-56	Bolt, Hex Head 5/16-24 x 1.0
17	04030-03	Lockwasher, 5/16
18	45374	Engine Guard Weldment
19	45561	Engine Mounting Frame
20	04001-92	Bolt, Hex Head 5/16-18 x 3.25
21	04001-12	Bolt, Hex Head 5/16-18 x 1.75
22	04040-15	Flat Washer, 5/16 (.375 x .875 x .083)
23	04021-10	Nut, Elastic Stop 5/16-18
24	481002	Tube, Exhaust
25	04001-19	Bolt, Hex Head 3/8-16 x 1.00
26	04001-31	Bolt, Hex Head 3/8-16 x 2.50
27	04041-07	Flat Washer, 3/8 (.391 x .875 x .088)
28	04021-09	Nut, Elastic Stop 3/8-16
29	421440	Tube, Lower Brace
30	421443	Clamp, Rear Tube
31	421442	Clamp, Front Tube
32	48633	Clamp, Muffler

* Common hardware which should be purchased locally. All bolts grade 5 plated, all other fasteners zinc plated.

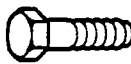
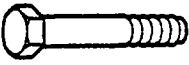


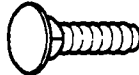

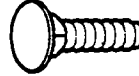



HARDWARE PACKAGE

P/N	EXAMPLE	QTY	DESCRIPTION	WHERE USED / (MODEL)
48125-01		1	POLY BAG, BLUE LABEL	SSZ-42, SSZ-48 & SSZ-5BS
04001-01		2	HEX HD BOLT, 1/4-20 x .75	FAN PULLEY TO HUB/(SSZ-42), DOUBLE FAN PULLEY TO HUB/(SSZ-48)
04001-12		3	HEX HD BOLT, 5/16-18 x 1.75	ENGINE MOUNTING/(SSZ-5BS)
04001-19		2	HEX HD BOLT, 3/8-16 x 1.00	BOOT/(SSZ-5BS)
1-20		2	HEX HD BOLT, 3/8-16 x 1.50	HINGE TO FRAME/(SSZ-42, SSZ-48, & SSZ-5BS)
04001-30		1	HEX HD BOLT, 3/8-16 x 4.00	RETAINER PIVOT/(SSZ-42, SSZ-48)
04001-31		9	HEX HD BOLT, 3/8-16 x 2.50	BRACE CLAMP TO FRAME, FRT SUPT CLAMP TO FRAME, REAR SUPT CLAMP TO FRAME, BRACE TO ENGINE MTG/(SSZ-5BS)
04001-47		2	HEX HD BOLT, 3/8-16 x 5.00	WEIGHT BARS TO FRAME/(SSZ-42)
04001-56		4	HEX HD BOLT, 5/16-24 x 1.0	BLOWER HOUSING MOUNTING/(SSZ-5BS)
1-65		1	HEX HD BOLT, 3/8-24 X 2.00	BLOWER TO ENGINE/(SSZ-5BS)






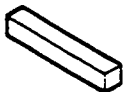

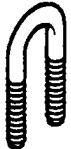
HARDWARE PACKAGE

PART NO.	EXAMPLE	QTY	DESCRIPTION	WHERE USED / (MODEL)
04017-27		4	CAPSCREW, 3/8-16 x 1.00 SERR. FLG. HEX HD.	FRONT ANTI-SCALP BRKT, REAR ANTI-SCALP BRKT/(SSZ-42, SSZ-48)
04019-03		22	NUT, 5/16-18 SERR FLANGE HEX HD	TRAY TO BUMPER CLAMP, TRAY TO BRACE, BRACE TO FRAME, FRAME TO FENDER/(SSZ-42, 48, 5BS), FRONT RECIEVER BRKT, REAR RECIEVER BRKT CNTR BAL BRKT BOTTOM, CNTR BAL SPRING ANCHOR/(SSZ-42, 48), INLET ADAPTER TO BLOWER/(SSZ-5BS)
04019-04		5	NUT, 3/8-16 SERR FLANGE HEX HD	BELT ADJ ANCHOR BRKT/(SSZ-48), LATCH CNTR BAL LEVER/(SSZ-42, SSZ-48), SUPT BELT COVER/(SSZ-42)
04021-05		2	NUT, 3/8-16 CENTER LOCK	SUPT BELT COVER/(SSZ-42)
04021-09		15	NUT, 3/8-16 ELASTIC STOP	HINGE TO FRAME, WEIGHT BARS TO FRAME/(SSZ-42, 48, 5BS), RETAINER PIVOT, GEAR BOX ASSY MTG, BELT TENSION BOLT, BLOWER HSG TO FRAME, PIVOT FOR CNTR BAL LEVER/(SSZ-42, 48), BRACE CLAMP TO FRAME, FRONT SUPT CLAMP TO FRAME, REAR SUPT CLAMP TO FRAME, BRACE TO ENGINE MTG/(SSZ-5BS)
04021-10		6	NUT, 5/16-18 ELASTIC STOP	HANDLE TO COVER/(SSZ-42, SSZ-48, SSZ-5BS), ENGINE MOUNTING/(SSZ-5BS)
04030-03		4	LOCKWASHER, 5/16	BLOWER HSG MOUNTING/(SSZ-5BS)
04030-04		1	LOCKWASHER, 3/8	BLOWER TO THE ENGINE/(SSZ-5BS)
04040-15		2	FLAT WASHER, 5/16 - .375 x .875 x .083	ENGINE MOUNTING/(SSZ-5BS)

HARDWARE PACKAGE

PART NO.	EXAMPLE	QTY.	DESCRIPTION	WHERE USED / (MODEL)
04001-92		2	HEX HD BOLT, 5/16-18 x 3.25	ENGINE MOUNTING/(SSZ-5BS)
04001-100		2	HEX HD BOLT, 3/8-16 x 6.00	WEIGHT BARS TO FRAME/(SSZ-48)
04001-105		2	HEX HD BOLT, 3/8-16 x 5.25	WEIGHT BAR TO FRAME/(SSZ-5BS)
04003-03		2	CARRIAGE BOLT, 3/8-16 x 2.00 SSN	PIVOT, CNTR BAL LEVER, BELT TENSION BOLT/(SSZ-42, SSZ-48)
04003-04		5	CARRIAGE BOLT, 5/16-18 x 1.00	FRAME TO FENDER, CNTR BAL BOTTOM/(SSZ-42, SSZ-48), FRAME TO FENDER/(SSZ-5BS)
04003-11		4	CARRIAGE BOLT, 3/8-16 x 1.25	GEARBOX ASSY. TO DECK/(SSZ-42, SSZ-48)
04003-12		15	CARRIAGE BOLT, 5/16-18 x .75	TRAY TO BUMPER CLAMP, TRAY TO BRACE, BRACE TO FRAME, HANDLE TO COVER/(SSZ-42, 48, 5BS), FRT RECIEVER BRKT, REAR RECEIVER BRKT/(SSZ-42, 48, 5BS)
04004-14		2	STUD, 3/8-16 x 6.75	SUPT BELT COVER/(SSZ-42)
04017-16		2	CAPSCREW, 5/16-18 x .75 SERR. FLG. HEX HD.	CNTR BAL BRACKET, TOP/(SSZ-42, SSZ-48)
04017-26		7	CAPSCREW, 3/8-16 x .75 SERR. FLG. HEX HD.	BELT ADJ ANCHOR BRKT/(SSZ-42, SSZ-48), LATCH TO CNTR BAL LEVER/(SSZ-42, SSZ-48), HINGE TO COVER/(SSZ-42, SSZ-48, SSZ-5BS)

HARDWARE PACKAGE

ART NO.	EXAMPLE	QTY	DESCRIPTION	WHERE USED / (MODEL)
04041-07		27	FLAT WASHER, 3/8 - .391 x .938 x .105	HINGE TO FRAME, WEIGHT BAR TO FRAME, SUPT ROD TO HINGE BRKT/ (SSZ-42, 48, 5BS), GEAR BOX ASSY MTG BLOWER HSG TO FRAME, PIVOT CNTR BAL LEVER/(SSZ-42, 48), BRACE CLAMP TO FRAME, FRONT SUPT CLAMP TO FRAME, REAR SUPT CLAMP TO FRAME, BRACE TO ENGINE MTG/(SSZ-5BS)
04041-10		1	FLAT WASHER, 3/8 - .375 x 2.00 x .060	SUPT ROD TO HINGE BRKT/(SSZ-42, SSZ-48, SSZ-5BS)
04062-01		2	HAIR PIN COTTER, .094 x 1.62	RETAINER PIN, CNTR BAL ROD/ (SSZ-42, SSZ-48)
04062-02		6	HAIR PIN COTTER, .080 x 1.19	DISCH CHUTE HINGE, SUPT ROD/ (SSZ-42, SSZ-48, SSZ-5BS)
04063-03		1	HAIR PIN COTTER, .148 x 2.75	BLOWER HSG MOUNTING/ (SSZ-42, SSZ-48)
04063-06		1	KEY, .25 x .25 x 1.50	PULLEY TO BLOWER/(SSZ-42, SSZ-48), BLOWER TO ENGINE/(SSZ-5BS)
04067-04		1	RING PIN, 3/8 x 4.25	BLOWER HSG RETAINER/(SSZ-42, SSZ-48)
04100-01		1	U-BOLT, 5/16-18 x 2.19	CNTR BAL SPRING ANCHOR/(SSZ-42, SSZ-48)

WARNING

If incorrectly used, this accessory can cause severe injury. Those who use and maintain the accessory should be trained in its proper use, warned of its dangers, and should read the entire manual before attempting to set up, operate, adjust or service the accessory.

LIMITED WARRANTY-COMMERCIAL ACCESSORY

Any part of the Scag commercial catcher manufactured by Scag and found, in the reasonable judgment of Scag, to be defective in material or workmanship, will be repaired or replaced by an Authorized Scag Service Dealer without charge for parts and labor.

The Scag accessory, including any defective part, must be returned to an Authorized Scag Service Dealer within the warranty period. The expense of delivering the accessory to the dealer for warranty work and the expense of returning it back to the owner after repair or replacement will be paid for by the owner. Scag's responsibility in respect to claims is limited to making the required repairs or replacements, and no claim of breach of warranty shall be cause for cancellation or rescission of the contract of sale of any Scag machine. Proof of purchase will be required by the dealer to substantiate any warranty claim. All warranty work must be performed by an Authorized Scag Service Dealer.

This warranty is limited to 90 days from the date of original retail purchase for any Scag catcher that is used for commercial purposes, or any other income-producing purpose including rental use.

This warranty does not cover any catcher that has been subject to misuse, neglect, negligence, or accident, or that has been operated in any way contrary to the operating instructions as specified in the Technical Manual. The warranty does not apply to any damage to the catcher that is the result of improper maintenance, or to any catcher or parts that have not been assembled or installed as specified in the Technical Manual.

The warranty does not cover any catcher that has been altered or modified. In addition, the warranty does not extend to repairs made necessary by normal wear, or by the use of parts or accessories which, in the reasonable judgment of Scag, are either incompatible with the Scag mower or adversely affect its operation, performance or durability. This warranty does not cover engines and electric starters, which are warranted separately by their manufacturer.

Scag Power Equipment reserves the right to change or improve the design of any accessory without assuming any obligation to modify any accessory previously manufactured.

All other implied warranties are limited in duration to the 90 day warranty period. Accordingly, any such implied warranties including merchantability, fitness for a particular purpose, or otherwise, are disclaimed in their entirety after the expiration of the appropriate ninety day warranty period. Scag's obligation under this warranty is strictly and exclusively limited to the repair or replacement of defective parts and Scag does not assume or authorize anyone to assume for them any other obligation. Some states do not allow limitations on how long an implied warranty lasts, so the above limitation may not apply to you.

Scag assumes no responsibility for incidental, consequential or other damages including, but not limited to, expense for gasoline, expense of delivering the machine to an Authorized Scag Service Dealer and expense of returning it back to the owner, mechanic's travel time, telephone or telegram charges, rental of a like product during the time warranty repairs are being performed, travel, loss or damage to personal property, loss of revenue, loss of use of the mower, loss of time, or inconvenience. Some states do not allow the exclusion or limitation of incidental or consequential damages. So the above limitation or exclusion may not apply to you.

This warranty gives you specific legal rights, and you may also have other rights which vary from state to state.